

SINGER

231-25

Form 19809

(1141)

Printed in U. S. A.

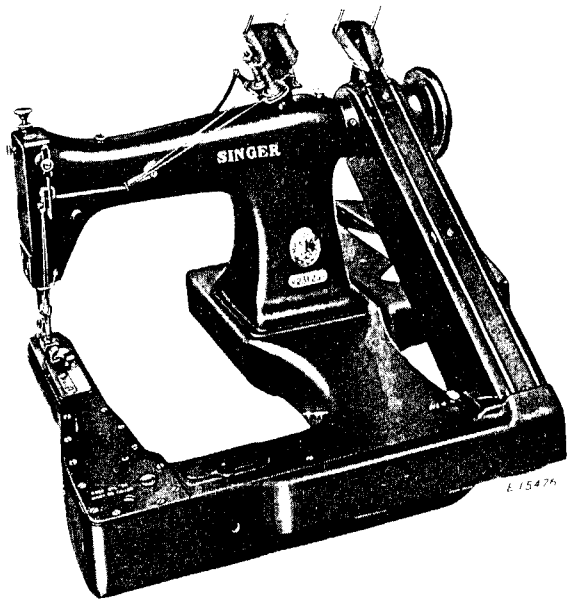
SINGER*

231-25

* A TRADE-MARK OF

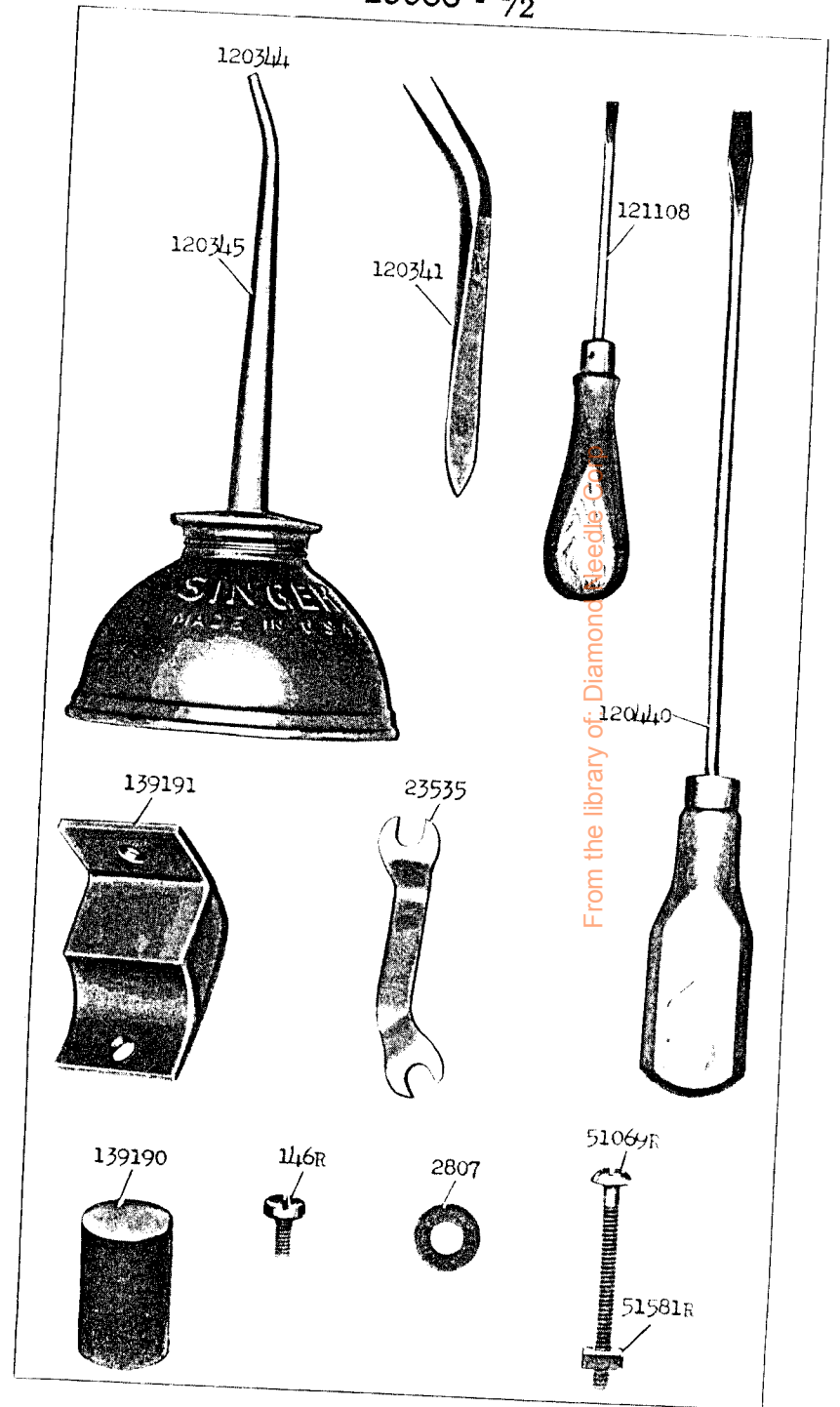
THE SINGER COMPANY

From the library of: Diamond Needle Corp



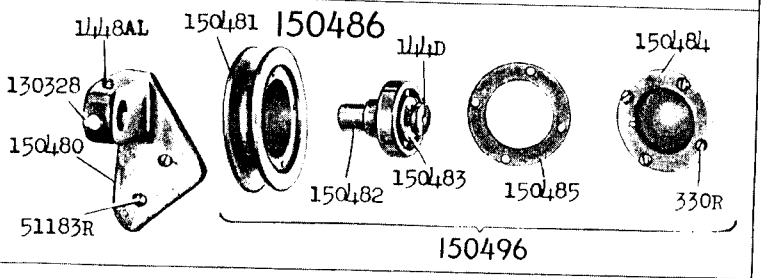
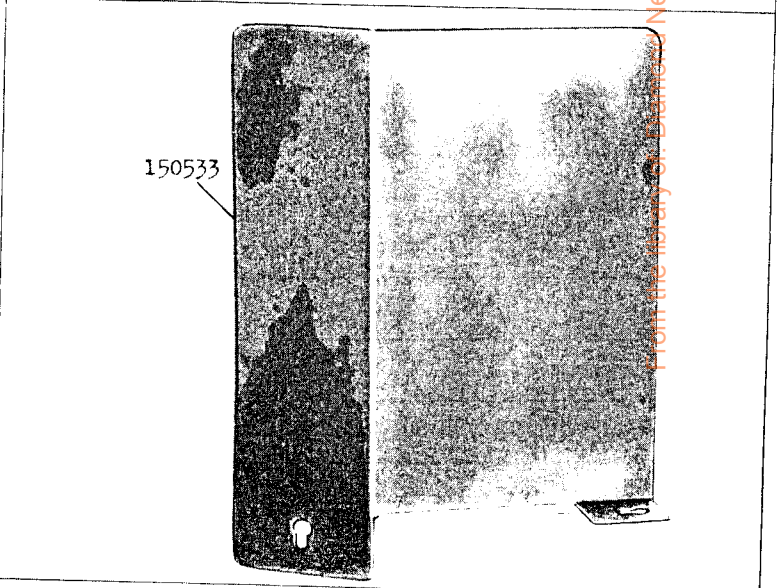
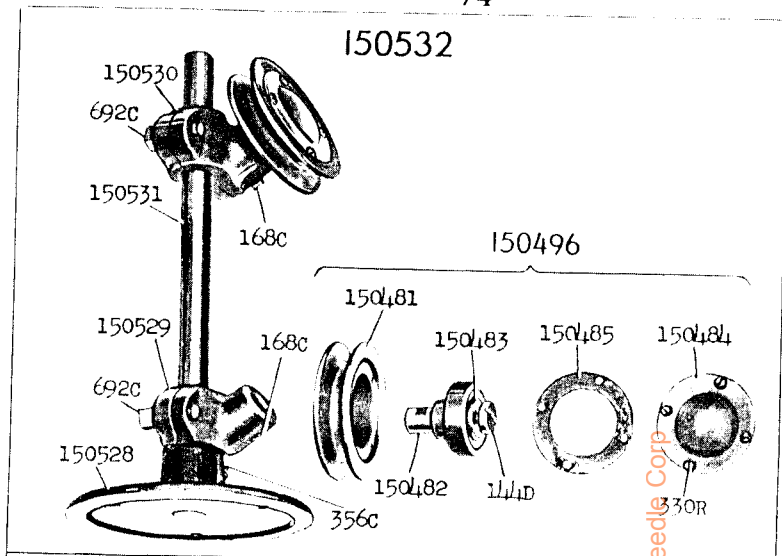
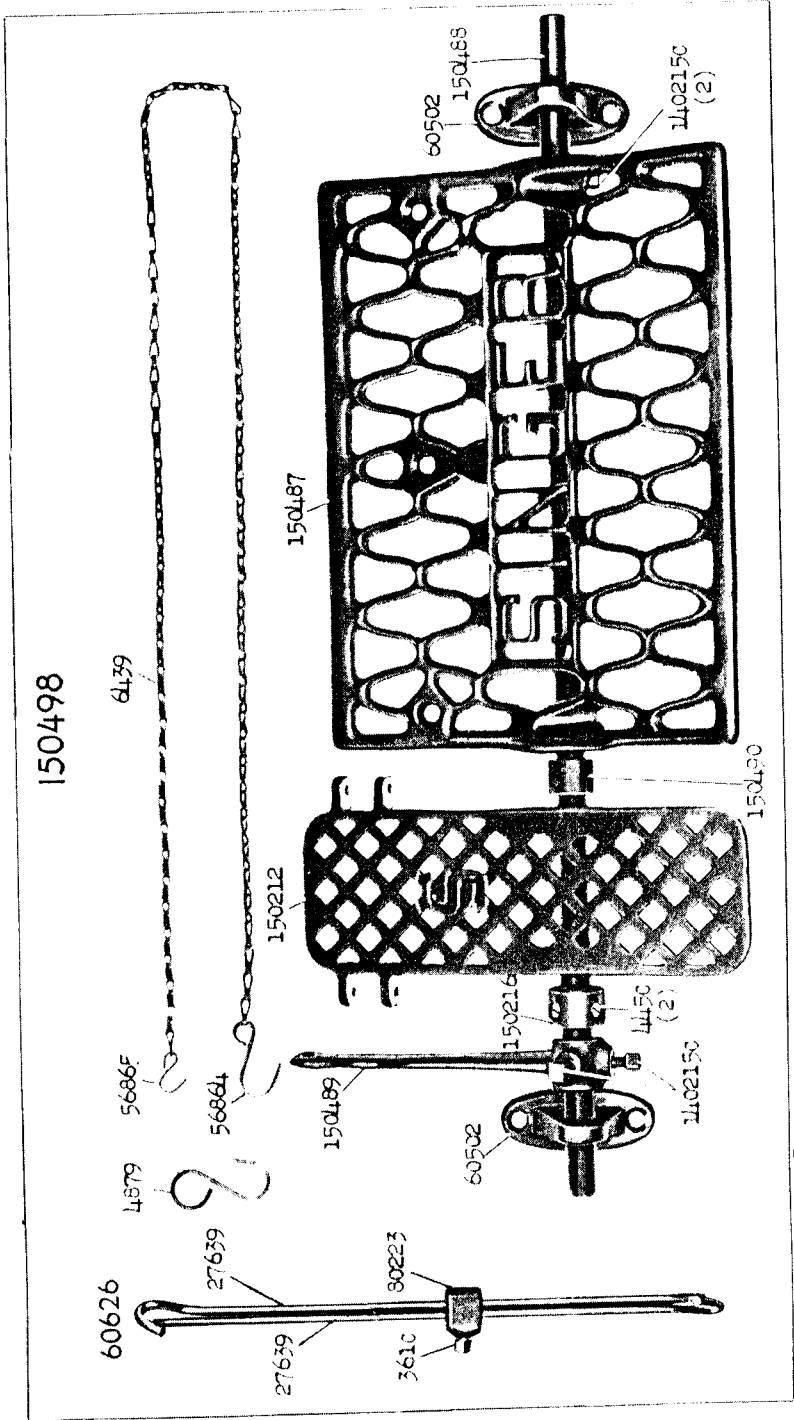
Copyright, U. S. A., 1939 and 1941
 by The Singer Company
 All Rights Reserved for all Countries

23086 - 1/2



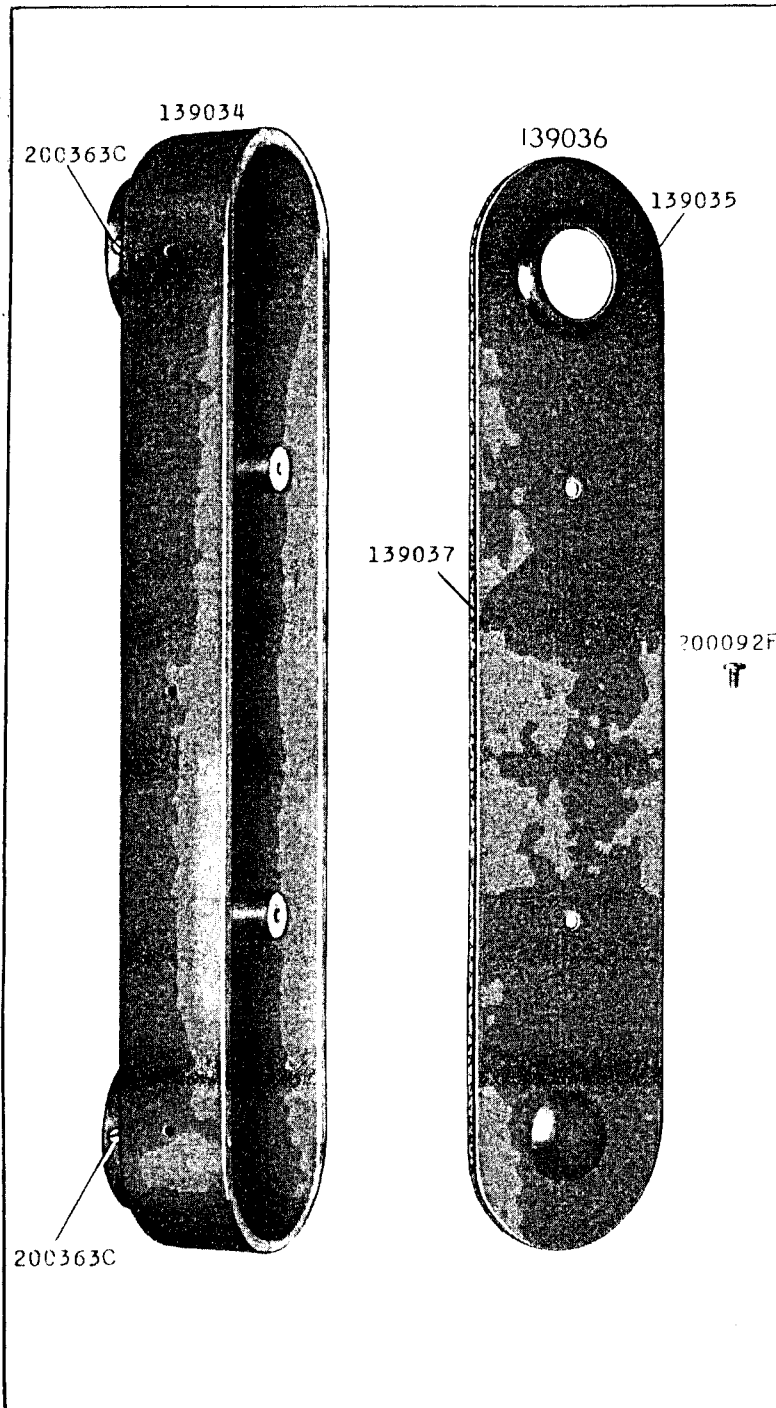
23089 - 1/4

23090 - 1/4

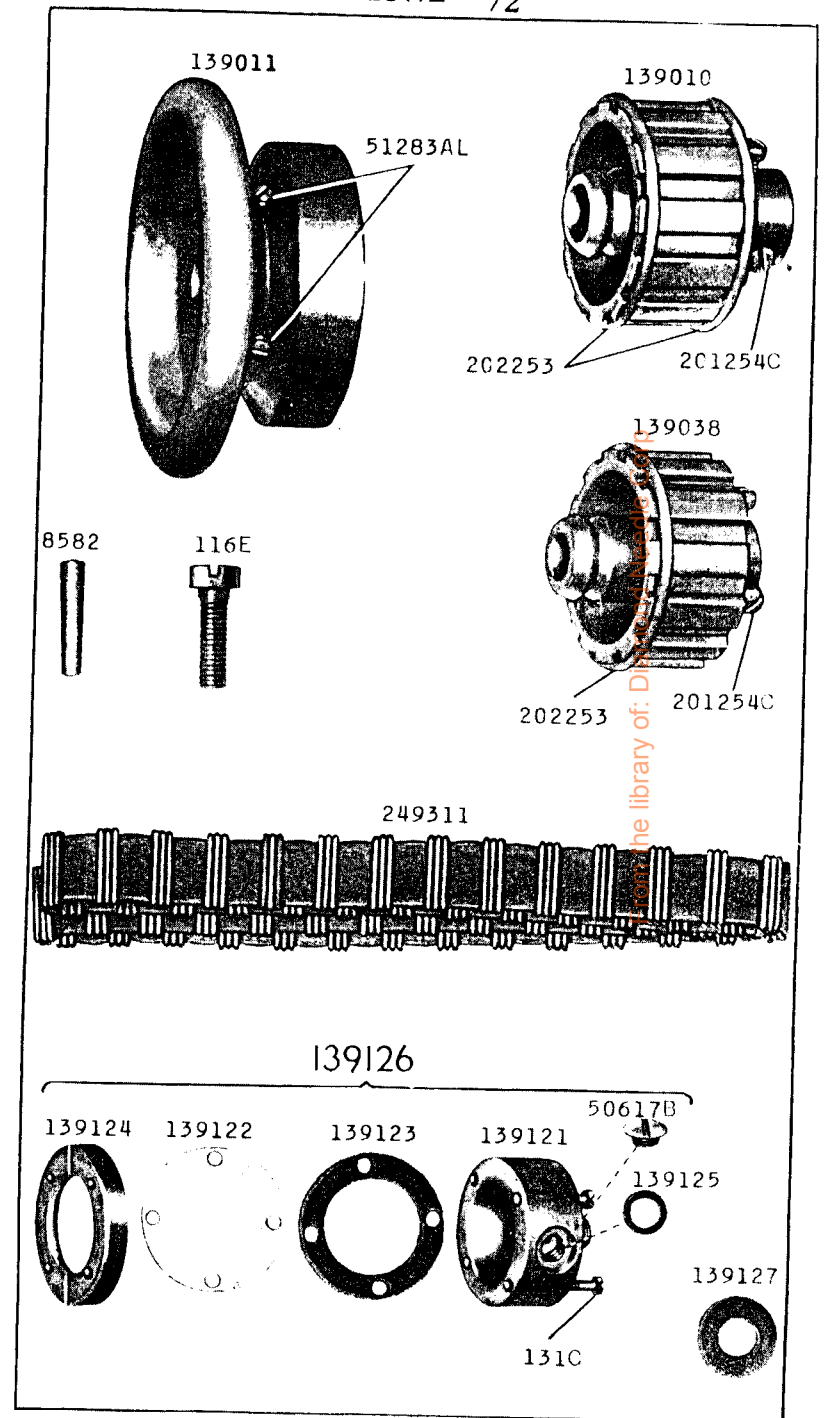


From the Library of Sewing Machine Needle Corp

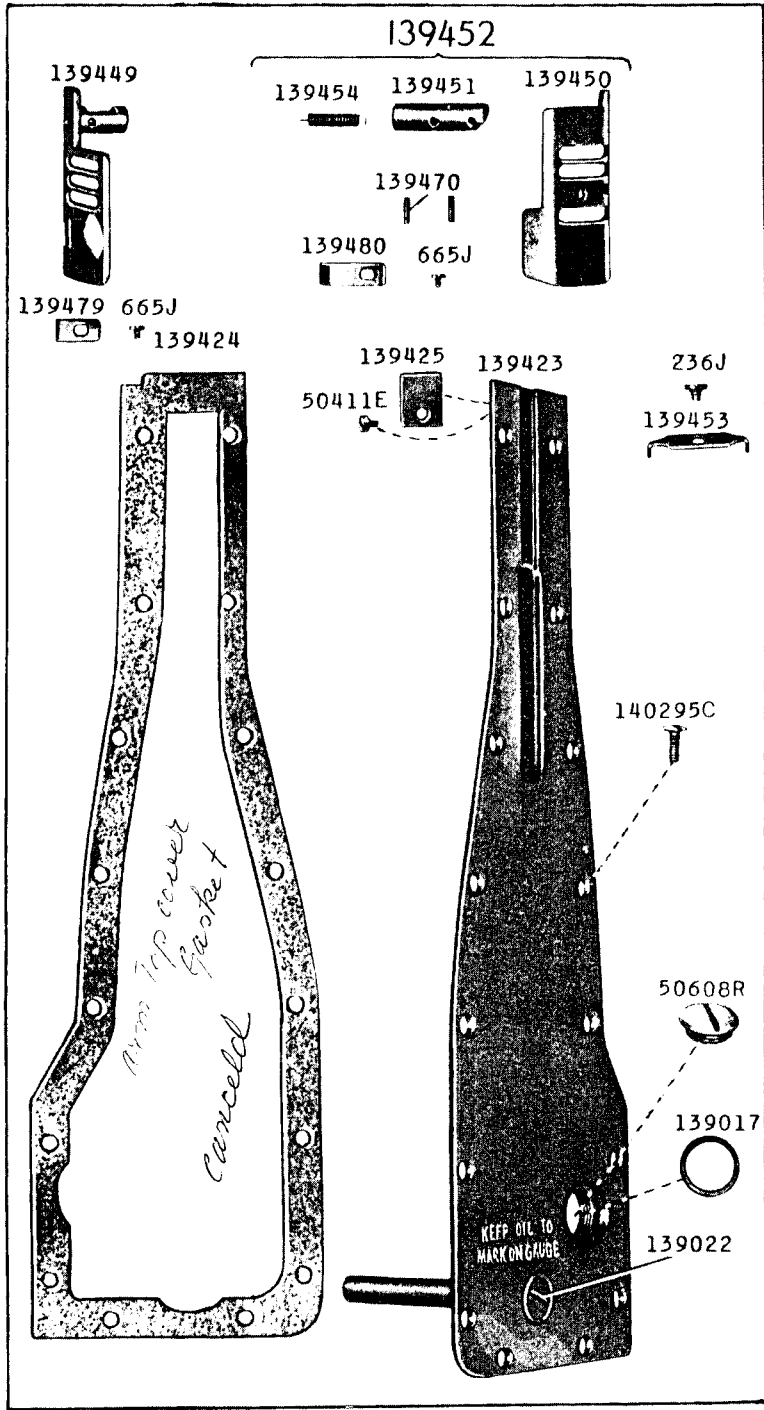
23111 - 1/3



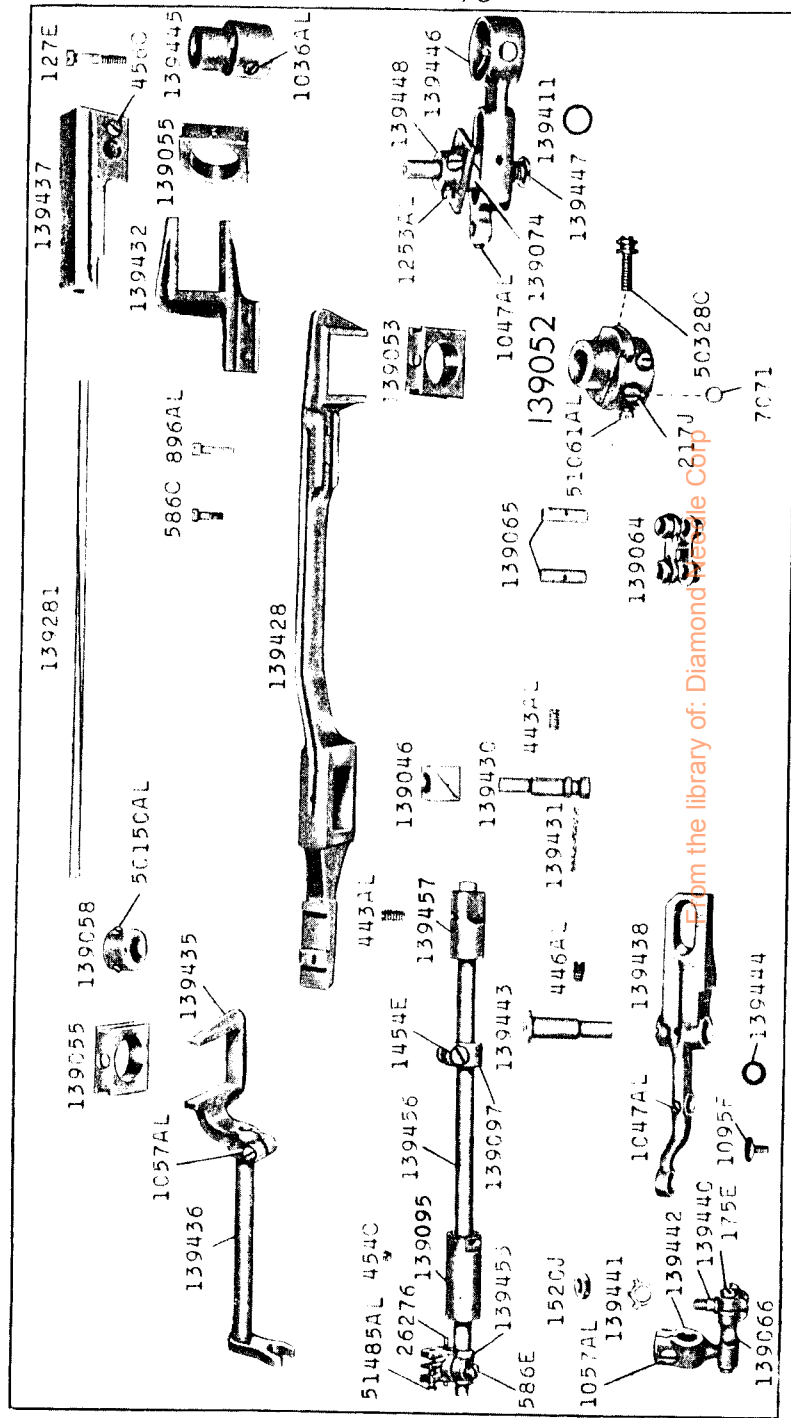
23112 - 1/2



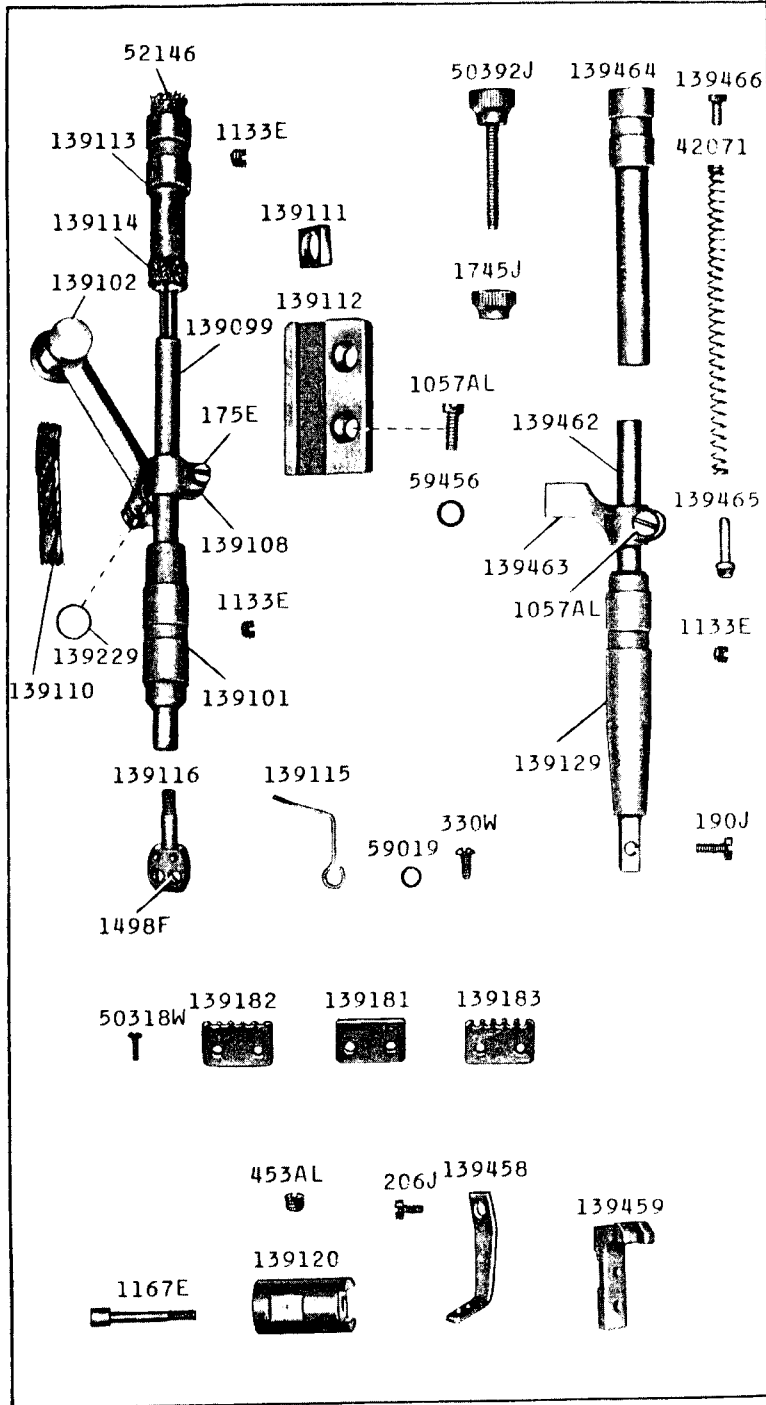
23115 - 1/2



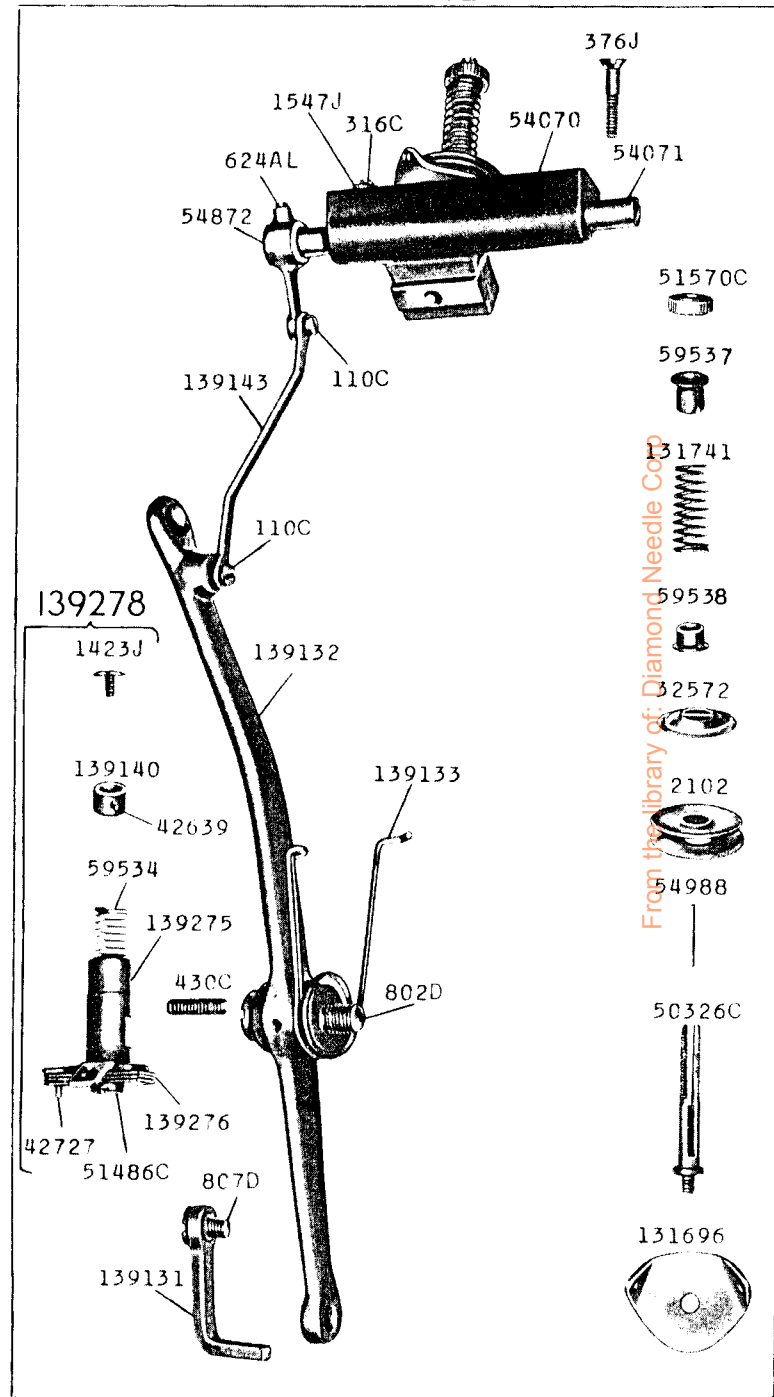
23116 - 1/3



23117 - 1/2

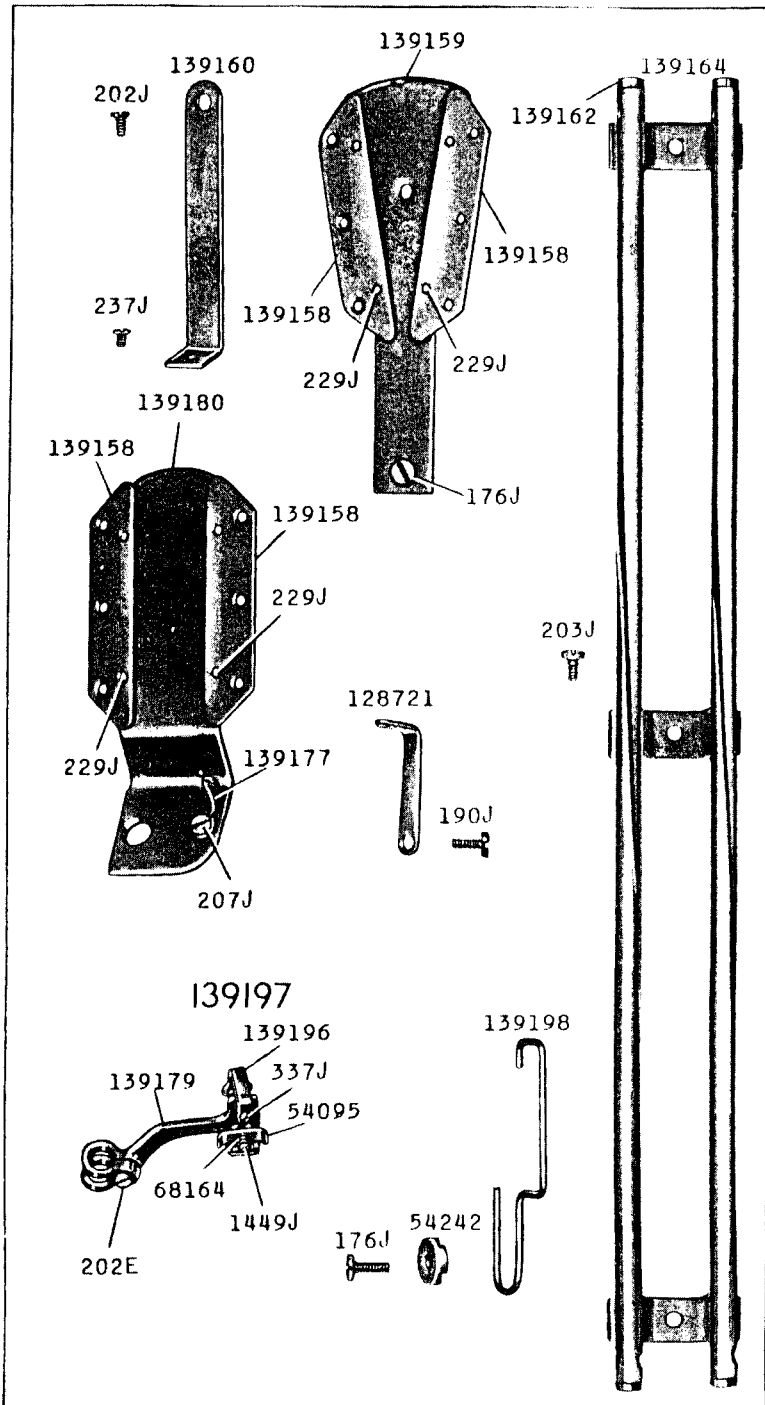


23118 - 1/2

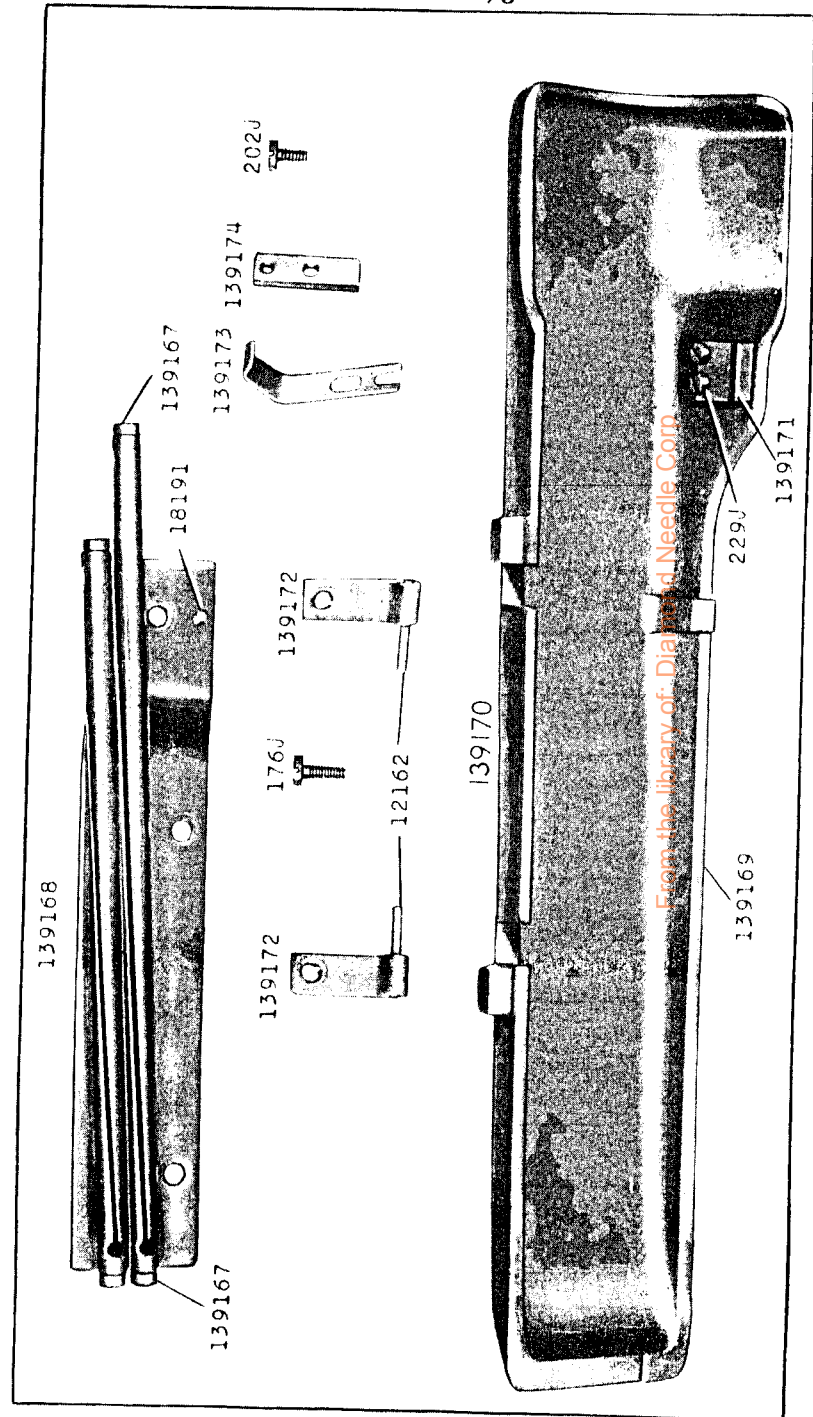


From the library of: Diamond Needle Co

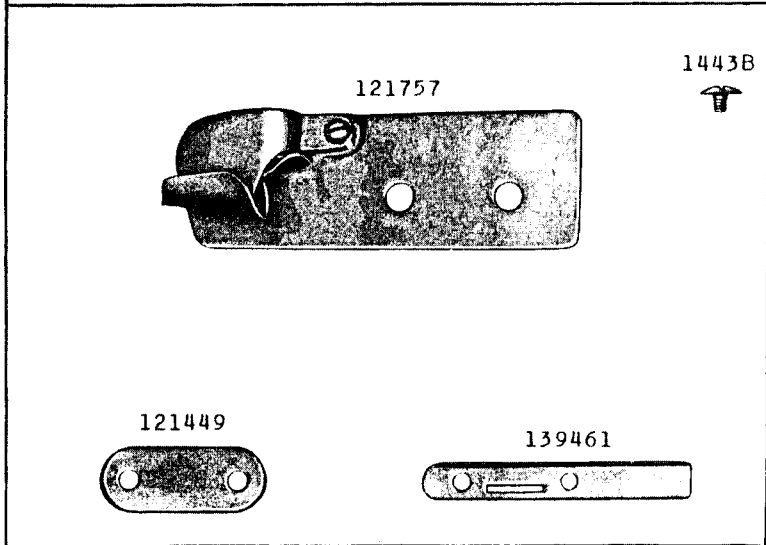
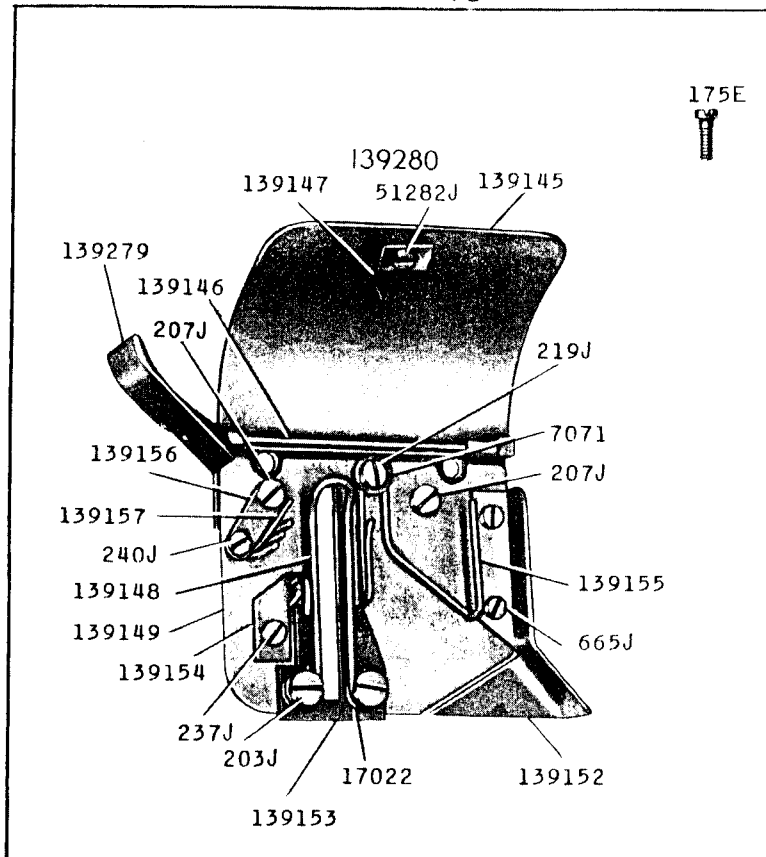
23119 - 1/2



23120 - 2/3



23121 - 2/3



23122 - 1/4

